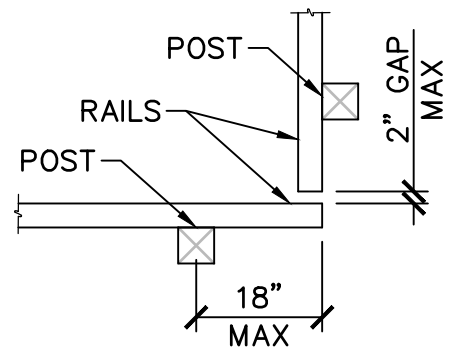
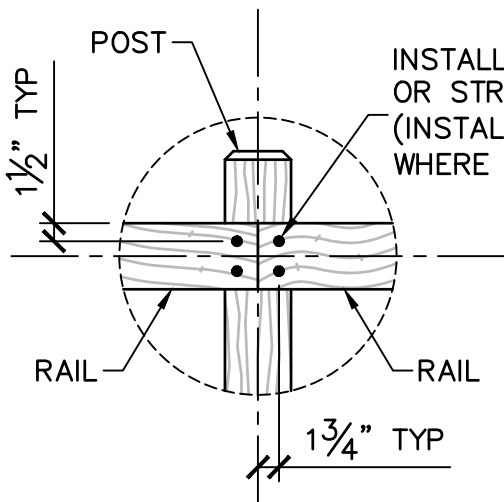


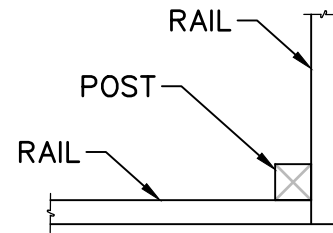
(E) PLAN AT OBTUSE OR ACUTE CORNER



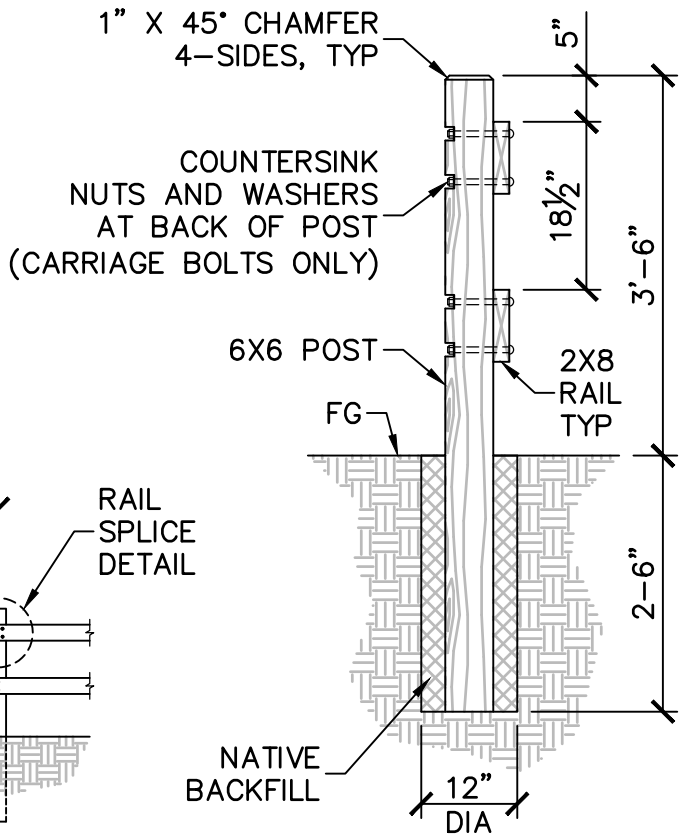
(F) ALTERNATE PLAN AT 90° CORNER



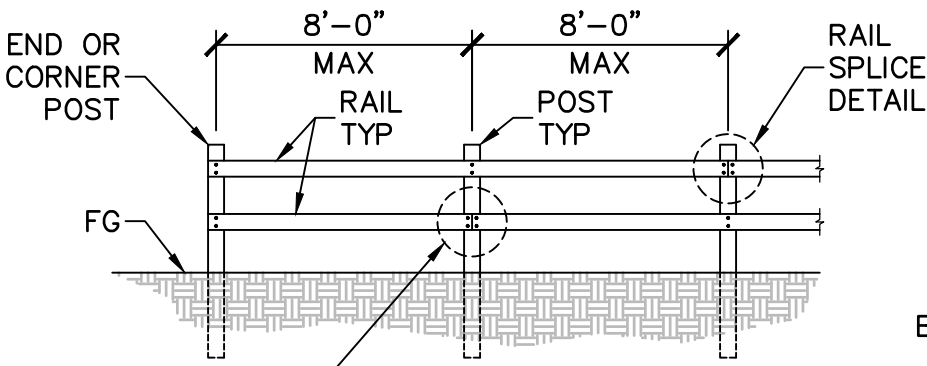
(C) RAIL SPLICE DETAIL



(D) PLAN AT 90° CORNER



(B) SECTION



(A) ELEVATION

SEE NOTES ON SHEET 2



TWO-RAIL WOOD FENCE

REVIEWED BY THE PARK STANDARDS COMMITTEE, AND APPROVED BY THE CHIEF OF DESIGN & CONSTRUCTION

Signature

10/11/2021

STD PLAN

203

SHEET 1 OF 2
NOT TO SCALE

MATERIALS

1. POSTS SHALL BE 6X6 PRESSURE TREATED ROUGH DOUGLAS FIR #2 OR BETTER FREE OF HEART CENTER. PRESSURE TREATMENT SHALL BE AWPA (AMERICAN WOOD PROTECTION ASSOCIATION) CA-B 0.21 PCF OR ACQ 0.40 PCF MINIMUM.
2. FENCE RAILS SHALL BE NON-PRESSURE TREATED, S4S DOUGLAS FIR, #2 OR BETTER.
3. STRUCTURAL SCREWS SHALL BE 1/4" MIN NOMINAL DIA x 3 3/4" MIN LENGTH, ICC-ES (INTERNATIONAL CODE COUNCIL-EVALUATION SERVICE) APPROVED FOR OUTDOOR USE IN PRESSURE TREATED WOOD, WITH A LOW PROFILE LARGE DIAMETER HEAD NOT REQUIRING A WASHER. USE RSS RUGGED STRUCTURAL SCREW MANUFACTURED BY GRK FASTENERS (WWW.GRKFASTENERS.COM), LOK SERIES BY FASTENMASTER (WWW.FASTENMASTER.COM), STRONG-DRIVE SDWS TIMBER SS SCREW BY SIMPSON STRONG-TIE (WWW.STRONGTIE.COM), OR EQUAL. SCREW HEADS SHALL BE INSTALLED FLUSH OR SLIGHTLY COUNTERSUNK PER MFG.
4. WHERE REQUIRED TO MATCH EXISTING FENCING, USE 3/8" DIA HOT-DIPPED GALVANIZED CARRIAGE BOLTS WITH NUTS AND FLAT WASHERS.

WORKMANSHIP

5. LOCATE UNDERGROUND UTILITIES PRIOR TO DIGGING. CALL USA (UNDERGROUND SERVICE ALERT) 1-800-277-2600, MON THRU FRI 6AM TO 7PM, A MINIMUM 2 WORKING DAYS WITH A MAXIMUM 14 CALENDAR DAYS, TO OBTAIN A TICKET. CONTACT THE DISTRICT INSPECTOR OR PARK SUPERVISOR FOR PARK DISTRICT UTILITIES NOT LOCATED BY USA.
6. TREAT CUTS AND DRILLED HOLES IN PRESSURE TREATED WOOD WITH COPPER NAPHTHENATE SOLUTION. CUT ENDS SHALL BE SPRAYED OR COATED LIBERALLY WITH A MINIMUM OF 2 FULL BRUSH COATS. DRILLED HOLES SHALL BE DIPPED FOR THREE MINUTES WHERE POSSIBLE, AND WHERE NOT POSSIBLE, SWABBED LIBERALLY SO AS TO PROVIDE EQUIVALENT TREATMENT THROUGHOUT THE LENGTH OF THE HOLE.
7. SET POSTS PLUMB AND BACKFILL WITH NATIVE MATERIAL. REMOVE ALL ROCKS AND CLODS GREATER THAN 1 1/2" THEN COMPACT IN 6" LIFTS.
8. INSTALL FENCE RAILS FACING THE MOST VISIBLE SIDE OF PARK FACILITIES; FOR EXAMPLE, FENCES ALONG TRAILS SHALL HAVE THE RAILS FACING THE TRAIL, FENCES AT PARK ENTRIES SHALL HAVE RAILS FACING THE ENTRY ROAD, AND FENCES AROUND PARKING AREAS SHALL HAVE RAILS FACING THE INSIDE OF THE PARKING AREA, UNLESS OTHERWISE NOTED.
9. INSTALL CARRIAGE BOLTS OR STRUCTURAL SCREWS CENTERED ON AND PERPENDICULAR TO MEMBERS WITH AN EVEN AND EQUIDISTANT PATTERN.
10. WHERE CARRIAGE BOLTS ARE USED, COUNTERSINK NUTS AND WASHERS AT BACK OF POSTS WITH 1 1/8" DIA x 1" MAX DEEP HOLES. CUT PROJECTING BOLT ENDS FLUSH WITH POST AFTER TIGHTENING.
11. EASE CORNERS AND EXPOSED EDGES OF POSTS AND RAILS ADJACENT TO PEDESTRIAN PATH OF TRAVEL, INCLUDING BOTH SIDES OF EACH FENCE OPENING.
12. STAIN RAILS AND POSTS "EBRPD BROWN STAIN" PER STD PLAN 003 PAINT SPECIFICATIONS.



TWO-RAIL WOOD FENCE

REVIEWED BY THE PARK STANDARDS COMMITTEE, AND APPROVED BY THE CHIEF OF DESIGN & CONSTRUCTION

10/11/2021

EAST BAY REGIONAL PARK DISTRICT - STANDARD PLANS

STD PLAN

203

SHEET **2** OF **2**
NOT TO SCALE